

GE1

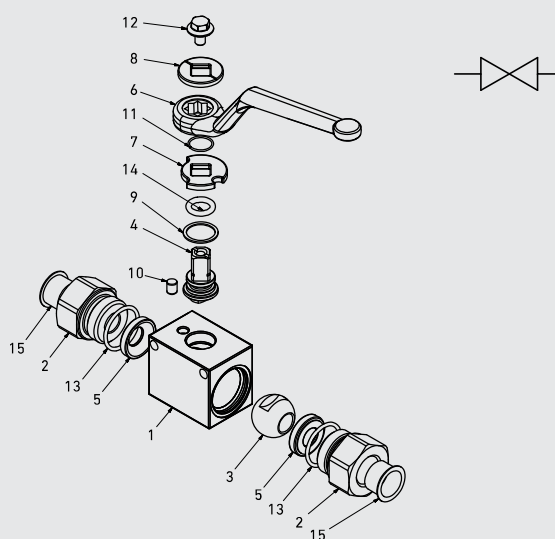
2-WAY HIGH PRESSURE BALL VALVES

Edition. 21.0

CS Carbon Steel

- Type: ball valve 2 way
- Sizes: from DN6 up to DN13
- Ends: BSP-NPT-SAE
- Pressure: up to PN500
- Temp range: from -20°C to +100°C

STANDARD COMPOSITION OF VALVE



| POS | DESCRIPTION | Q.TY | CS Carbon Steel MATERIAL |
|-----|----------------|------|--------------------------------|
| 1 | Body | 1 | 1,0737 |
| 2 | Adapter | 2 | 1,0737 |
| 3 | Ball | 1 | 1,0737 |
| 4 | Stem | 1 | 1,0737 |
| 5 | Ball seat | 2 | POM |
| 6 | Handle | 1 | ZINC |
| 7 | Washer | 1 | 1,0116 |
| 8 | Washer | 1 | 1,0116 |
| 9 | Stem ring | 1 | POM |
| 10 | Pin | 1 | 1,0737 |
| 11 | Seeger | 1 | 1,4301 |
| 12 | Adapter o-ring | 2 | NBR |
| 13 | Stem o-ring | 1 | NBR |
| 14 | Screw | 1 | Din 6921 8.8 |
| 15 | Caps | 2 | PVC |



SMALLER DESIGN

CODE DESCRIPTION STRUCTURE

| | | | | | | | | |
|-----|-------|-----|---|---|---|---|---|---|
| GE1 | G 1/4 | DN6 | 1 | 1 | 1 | 1 | A | B |
|-----|-------|-----|---|---|---|---|---|---|

Type and way of valve

GE1 2-way

Ends

| GAS DIN/ ISO 228 BSP | NPT ANSI /ASME B1.20.1 | SAE J1926-1 |
|----------------------|------------------------|-------------|
| G 1/4 | N 1/4 | SAE4 |
| G 3/8 | N 3/8 | SAE6 |
| G 1/2 | N 1/2 | SAE8 |

Size

from DN6 to DN13

Body Material

● 1 = 1,0737

Adapter material

● 1 = 1,0737

Stem material

● 1 = 1,0737 4 = 1,4404*

Ball Material

● 1 = 1,0737 4 = 1,4404*

Seat material

A = POM

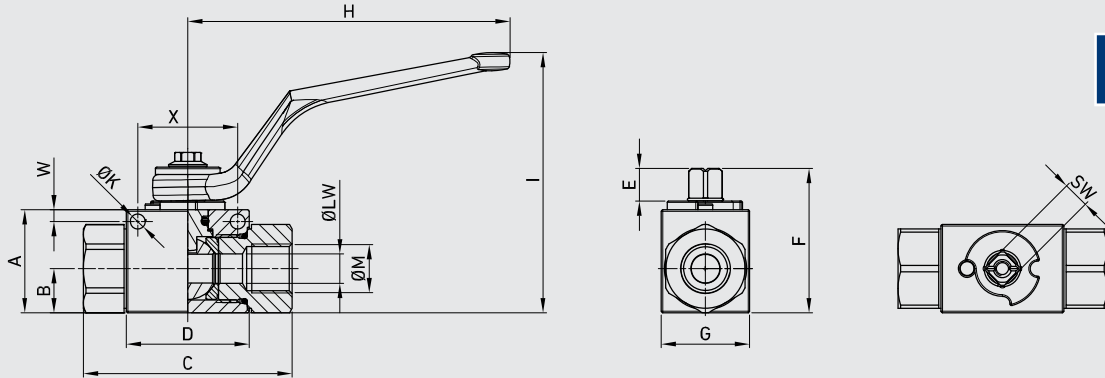
Seal material

B = NBR

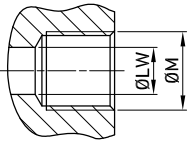
*On request

- Reduced bore
- Special threads
- Pressure class up to PN50 MPa
- Pneumatic and electrical actuator
- Security block
- Locking device

For further special requests please consult our technical/commercial service.



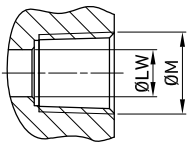
SMALLER DESIGN



GE1 DIN/ISO 228 BSP

| | | | | | | | | | | | | | | | | | | | CS Carbon Steel | |
|-----------|----|----------|-----------|------|------|------|------|-------|------|------|------|-------|------|------|------|------|------|----------|--------------------|--|
| | | | | | | | | | | | | | | | | | | | ITEM CODE | |
| TYPE | DN | PN | A | B | C | D | E | F | G | H | I | ØM | ØK | W | X | SW | ØLW | WEIGHT | ITEM CODE | |
| GE1 G 1/4 | 6 | MPa 50 | mm 33 | 14,3 | 69 | 39,4 | 11,1 | 47,25 | 26 | 110 | 87 | G 1/4 | 5,10 | 4 | 34 | 9 | 6 | kg 0,378 | GE1GGT15011A000 | |
| | | Psi 7250 | inch 1,30 | 0,56 | 2,72 | 1,55 | 0,44 | 1,86 | 1,02 | 4,33 | 3,43 | | 0,20 | 0,16 | 1,34 | 0,35 | 0,24 | lb 0,83 | | |
| GE1 G 3/8 | 10 | MPa 50 | mm 35 | 15 | 71 | 41,8 | 11,1 | 49,25 | 30 | 110 | 89 | G 3/8 | 5,1 | 4 | 34 | 9 | 10 | kg 0,467 | GE1GGT25011A000 | |
| | | Psi 7250 | inch 1,38 | 0,59 | 2,80 | 1,65 | 0,44 | 1,94 | 1,18 | 4,33 | 3,50 | | 0,20 | 0,16 | 1,34 | 0,35 | 0,39 | lb 1,03 | | |
| GE1 G 1/2 | 13 | MPa 50 | mm 40 | 18,3 | 83 | 44,4 | 11,1 | 54,25 | 35 | 110 | 94 | G 1/2 | 5,1 | 4 | 36 | 9 | 13 | kg 0,635 | GE1GGT35011A000 | |
| | | Psi 7250 | inch 1,57 | 0,72 | 3,27 | 1,75 | 0,44 | 2,14 | 1,38 | 4,33 | 3,70 | | 0,20 | 0,16 | 1,42 | 0,35 | 0,51 | lb 1,40 | | |

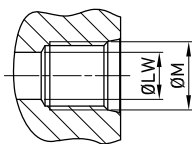
FIXING HOLES INCLUDED



GE1 ANSI/ASME B1.20.1 NPT

| | | | | | | | | | | | | | | | | | | | CS Carbon Steel | |
|-----------|----|----------|-----------|------|------|------|------|-------|------|------|------|-------|------|------|------|------|------|----------|--------------------|--|
| | | | | | | | | | | | | | | | | | | | ITEM CODE | |
| TYPE | DN | PN | A | B | C | D | E | F | G | H | I | ØM | ØK | W | X | SW | ØLW | WEIGHT | ITEM CODE | |
| GE1 N 1/4 | 6 | MPa 50 | mm 33 | 14,3 | 69 | 39,4 | 11,1 | 47,25 | 26 | 110 | 87 | N 1/4 | 5,10 | 4 | 34 | 9 | 6 | kg 0,378 | GE1NNT15011A000 | |
| | | Psi 7250 | inch 1,30 | 0,56 | 2,72 | 1,55 | 0,44 | 1,86 | 1,02 | 4,33 | 3,43 | | 0,20 | 0,16 | 1,34 | 0,35 | 0,24 | lb 0,83 | | |
| GE1 N 3/8 | 10 | MPa 50 | mm 35 | 15 | 71 | 41,8 | 11,1 | 49,25 | 30 | 110 | 89 | N 3/8 | 5,1 | 4 | 34 | 9 | 10 | kg 0,467 | GE1NNT25011A000 | |
| | | Psi 7250 | inch 1,38 | 0,59 | 2,80 | 1,65 | 0,44 | 1,94 | 1,18 | 4,33 | 3,50 | | 0,20 | 0,16 | 1,34 | 0,35 | 0,39 | lb 1,03 | | |
| GE1 N 1/2 | 13 | MPa 50 | mm 40 | 18,3 | 83 | 44,4 | 11,1 | 54,25 | 35 | 110 | 94 | N 1/2 | 5,1 | 4 | 36 | 9 | 13 | kg 0,635 | GE1NNT35011A000 | |
| | | Psi 7250 | inch 1,57 | 0,72 | 3,27 | 1,75 | 0,44 | 2,14 | 1,38 | 4,33 | 3,70 | | 0,20 | 0,16 | 1,42 | 0,35 | 0,51 | lb 1,40 | | |

FIXING HOLES INCLUDED



GE1 SAE J1926-1

| | | | | | | | | | | | | | | | | | | | CS | |
|----------|----|----------|-----------|------|------|------|------|-------|------|------|------|------|------|------|------|------|------|----------|-----------------------|--|
| | | | | | | | | | | | | | | | | | | | Carbon Steel | |
| TYPE | DN | PN | A | B | C | D | E | F | G | H | I | ØM | ØK | W | X | SW | ØLW | WEIGHT | ITEM CODE | |
| GE1 SAE4 | 6 | MPa 50 | mm 33 | 14,3 | 69 | 39,4 | 11,1 | 47,25 | 26 | 110 | 87 | 7/16 | 5,10 | 4 | 34 | 9 | 6 | kg 0,378 | GE1EEE05011A000 | |
| | | Psi 7250 | inch 1,30 | 0,56 | 2,72 | 1,55 | 0,44 | 1,86 | 1,02 | 4,33 | 3,43 | UNF | 0,20 | 0,16 | 1,34 | 0,35 | 0,24 | lb 0,83 | | |
| GE1 SAE6 | 10 | MPa 50 | mm 35 | 15 | 71 | 41,8 | 11,1 | 49,25 | 30 | 110 | 89 | 9/16 | 5,1 | 4 | 34 | 9 | 10 | kg 0,467 | GE1EEE15011A000 | |
| | | Psi 7250 | inch 1,38 | 0,59 | 2,80 | 1,65 | 0,44 | 1,94 | 1,18 | 4,33 | 3,50 | UNF | 0,20 | 0,16 | 1,34 | 0,35 | 0,39 | lb 1,03 | | |
| GE1 SAE8 | 13 | MPa 50 | mm 40 | 18,3 | 83 | 44,4 | 11,1 | 54,25 | 35 | 110 | 94 | 3/4 | 5,1 | 4 | 36 | 9 | 13 | kg 0,635 | GE1EEE25011A000 | |
| | | Psi 7250 | inch 1,57 | 0,72 | 3,27 | 1,75 | 0,44 | 2,14 | 1,38 | 4,33 | 3,70 | UNF | 0,20 | 0,16 | 1,42 | 0,35 | 0,51 | lb 1,40 | | |
| | | | | | | | | | | | | | | | | | | | FIXING HOLES INCLUDED | |