

LVA - LVU series

Visual oil level indicators



LVA GENERAL INFORMATION

Technical data

Visual oil level indicators

LVA is a range of plastic compact fluid level indicators for monitoring of the fluid level into the tank. They are directly fitted on the tank side. The fluid comes in through the lower connection screw and it is easily visible through the screen.

A white background plate, an orange line for the minimum level and a blue line for the maximum level allow an easy monitoring of the level.

Available features:

- Several male threaded connections, with or without nuts
- Three different sizes, to meet every size of tank
- Thermometer, to check the temperature of the fluid

Common applications:

- Hydraulic systems
- Mobile machines
- Industrial equipment

Materials

- Body: Transparent amorphous polyamide lens
- Nylon guard
- Seal: A -NBR / V - FPM

Operating pressure

Max 1 bar at +80°C

Operating temperature

From -25 °C to +80 °C

Weight

LVA 10 0.13 kg
LVA 20 0.18 kg
LVA 30 0.23 kg

Quantity

10 pcs/pack



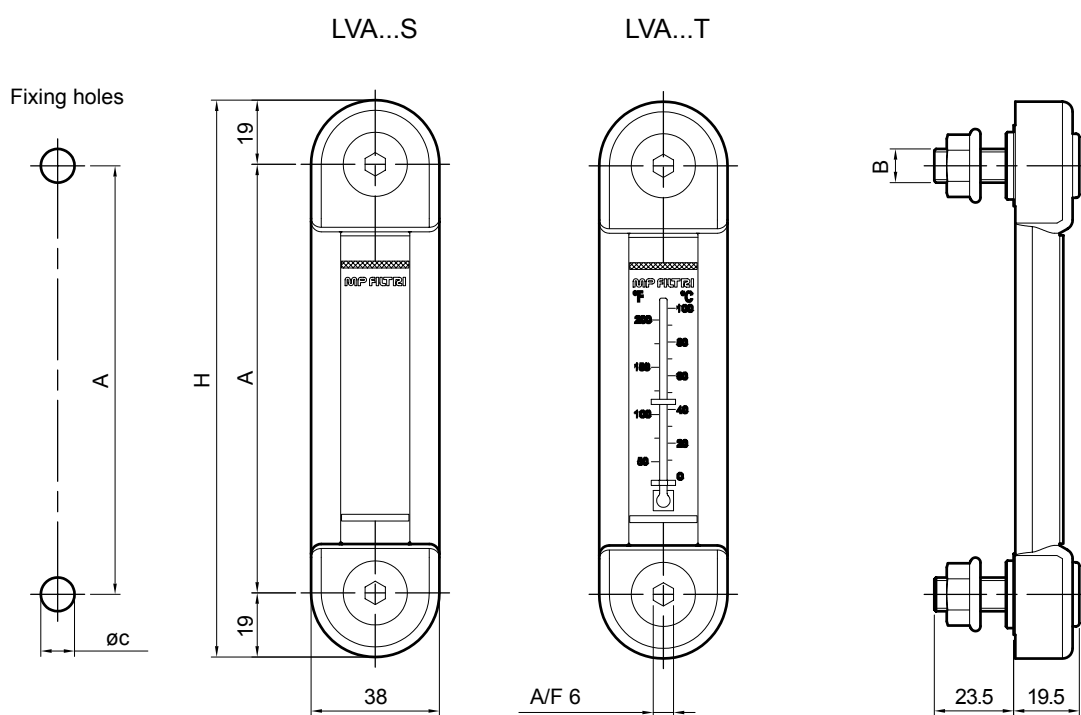
Designation & Ordering code

LVA

Series	Configuration example :						
LVA	LVA	20	T	A	P	M10	S01
Size							
10 20 30							
Thermometer							
S Without thermometer							
T With thermometer							
Seals							
A NBR							
V FPM							
Cover material							
P Polyamide							
Connections							
M10 Screws M10							
M12 Screws M12							
U38 Screws 3/8" UNC							
U12 Screws G 1/2" UNC							
Execution							
S01 Tag MP Filtri, with nuts							
S02 Tag MP Filtri, without nuts							

LVA		
Size	A [mm]	H [mm]
LVA10	76	114
LVA20	127	165
LVA30	254	292

Type	B [mm]	C [mm]
LVA...M10	M10	10.5
LVA...M12	M12	12.5
LVA...U38	3/8" UNC	10.0
LVA...U12	1/2" UNC	13.5



Note: for installation onto OB Cleaning covers see page 147

Technical data

Visual oil level indicators

LVU is a range of plastic fluid level indicators for monitoring of the fluid level into the tank. They are directly fitted on the tank side.

The fluid comes in through the lower connection screw and it is easily visible through the screen.

A background plate, a red float and the adjustable minimum level and maximum level indicators allow an easy check of the level.

Available features:

- G 3/8" male threaded connections
- Adjustable size on request, to meet every size of tank
- Drain valve, to drop the oil for the maintenance procedures
- Glass screen and "U" protection, to meet heavy duty applications

Common applications:

- Hydraulic systems
- Mobile machines
- Industrial equipment

Materials

- Head: Nylon
- Connection G 3/8": Nickel plated brass
- G 3/8" valve: Steel
- Seal: NBR
- Pipe seal: NBR, Acrylic
- Pipe: Pyrex
- Float: Nylon
- Protection: Aluminium
- Clamps min-max: Nylon

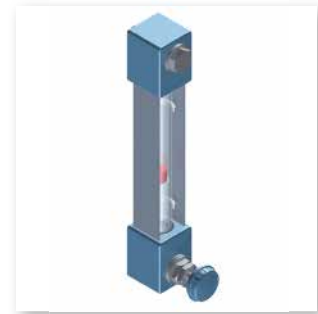
Operating temperature

From -25 °C to +70 °C

Weight	version U	version S
LVU 0500	0.780 kg	0.580 kg
LVU 1000	1.150 kg	0.790 kg
LVU 1500	1.550 kg	1.100 kg
LVU 2000	1.950 kg	1.400 kg

Quantity

10 pcs/pack



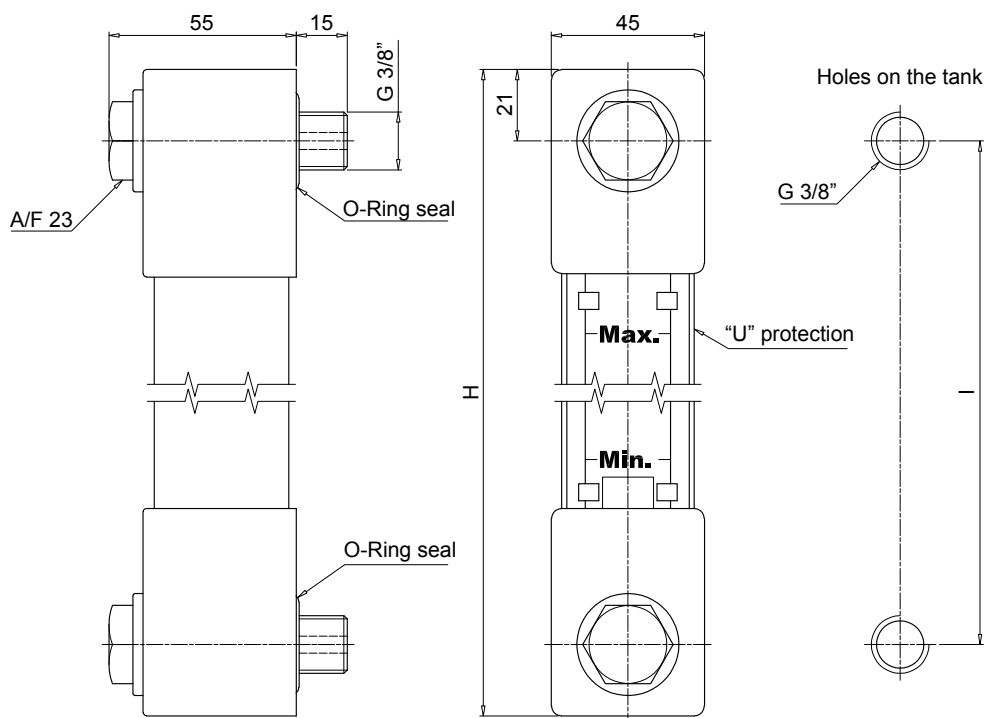
Designation & Ordering code

LVU

Series	Configuration example :					
LVU	LVU	0500	U	A	10	P01
Size						
0500	Distance between center = 500 mm					
1000	Distance between center = 1000 mm					
1500	Distance between center = 1500 mm					
2000	Distance between center = 2000 mm					
Different sizes on request						
Body	Size					
	500	1000	1500	2000		
S	Standard plexiglass body	•	•	•	•	
U	Plexiglass body, with "U" protection	•	•	•	•	
P	Pyrex body, with "U" protection	•	•	•		
Seals						
A	NBR					
V	FPM					
Connections						
10	Connection G 3/8"					
20	Connection G 3/8", with drain valve					
Execution						
P01	MP Filtri standard					
Pxx	Customized					

LVU		
Size	H [mm]	I [mm]
0500	542	500
1000	1042	1000
1500	1542	1500
2000	2042	2000

Connection 10



Connection 20

